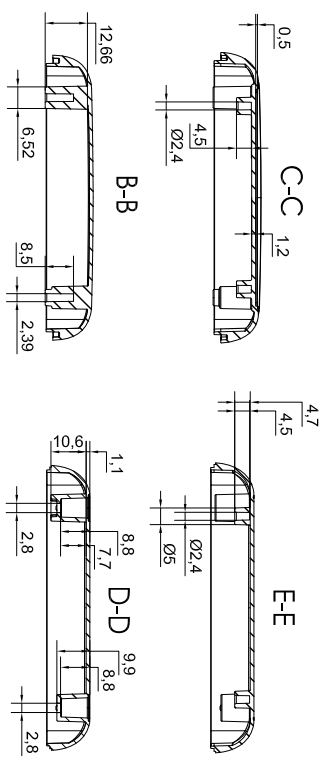
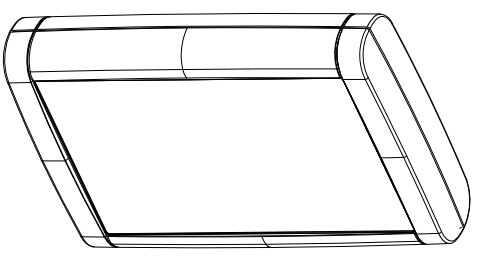
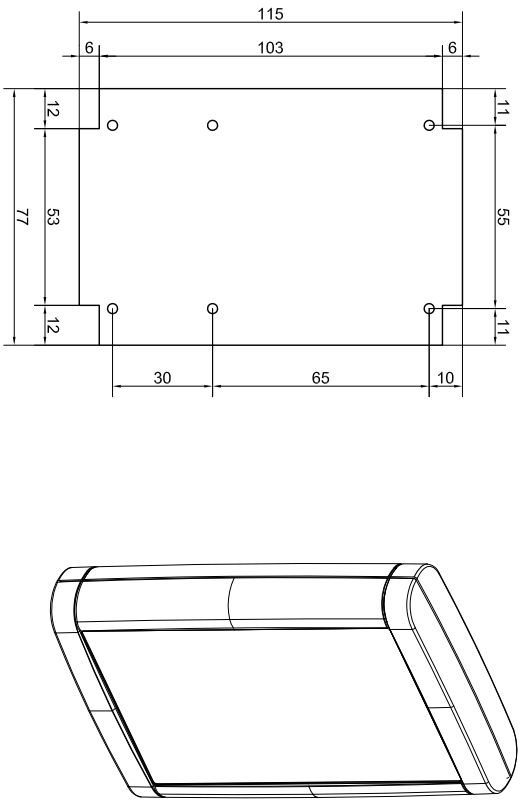


MAXIMUM PCB SIZE



 TEKO ENCLOSURES		Assembly MTG01K	
<small>Subject to technical modification without prior notice. Topographical and other errors do not justify any claim for damages. All dimensions should be verified using an actual moulded part. This document contains proprietary information of TEKO S.p.A. and is rendered subject to the conditions that the information is released in confidence and is reproduced or copied and not be used or reproduced in any product.</small>		<small>Part Number</small> MTG01K	
<small>Rev. Index</small> 02/11/10	<small>Date</small> 02/11/10	<small>Scale</small> 1:1	<small>Format drawing</small> A2